


PARTIAL SECTION A-A

DETAIL B

B	04.02.09	CIR0901015 : 6785 & 6792 REMOVED, 9145 & 9146 ADDED, 2910 WAS 2913, 2911 WAS 2914, SECOND SHEET ADDED WITH PARTS LIST	ECH	DCD	<i>OVB</i>
A	22.03.07	FIRST ISSUE	SDE	DRG	<i>OVB</i>
ISS	DATE	DETAILS	DRN	CHKD	APPD
			 DO NOT SCALE		
<small>© AMARINTH LTD. 2007-2009. THIS DRAWING IS THE PROPERTY OF AMARINTH LTD AND MUST NOT BE REPRODUCED OR DISCLOSED WITHOUT OUR PERMISSION IN WRITING. ALL RIGHTS ARE RESERVED.</small>			DRG No.		ISSUE B



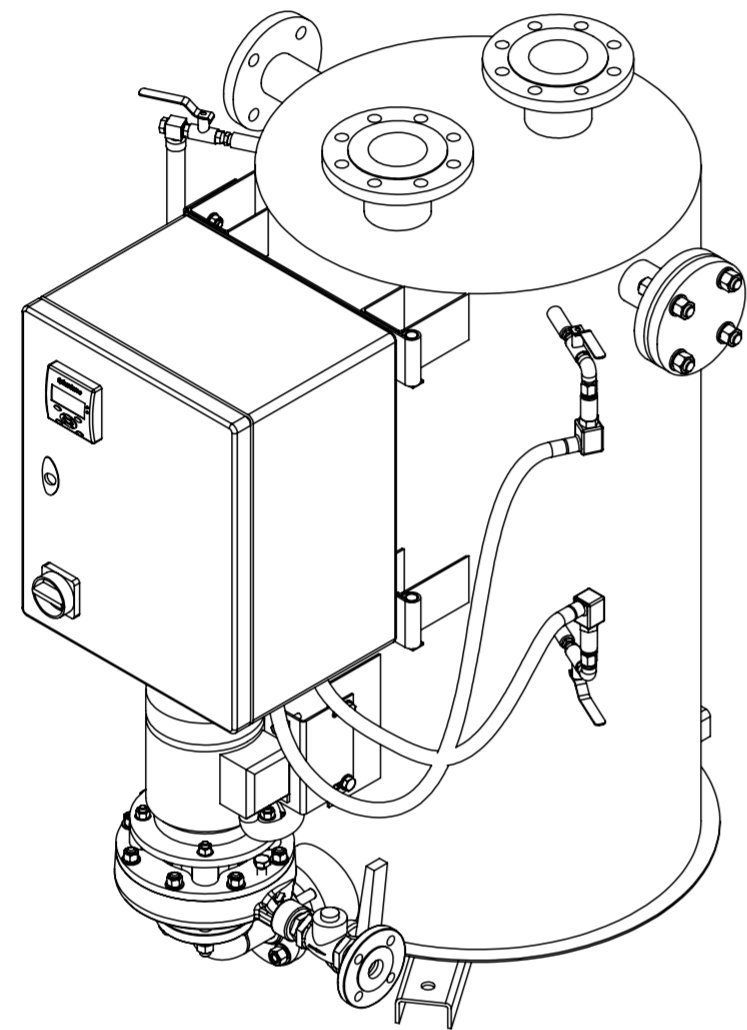
**Amarinth**

tel : +44 (0)1394 462 120  
fax: +44 (0)1394 462 130  
www.amarinth.com

TITLE: SECTIONAL ARRANGEMENT  
SPIRAX SARCO  
CI-NERGY UNIT : CI-08-007

DRG No. **SAT-513016**

SHT 1 OF 2




Ci-nergy Unit : CI-08-007			
Seq. No.	Component No.	Description	Qty.
1112	CIL-403276	Casing	1
1810	STD-404233	Stud	4
1811	HXN-401172	Hexagon Nut	4
1812	WAS-401939	Washer, Form A	4
1820	STD-401051	Stud	8
1821	HXN-400163	Hexagon Nut, Casing	8
1822	WAS-401120	Washer, Casing	8
1824	HSS-401293	Screw, Hex Set	2
2140	SFE-403127	Shaft Extension	1
2200	ISC-403550	Impeller	1
2910	IHC-404229	Impeller Hub Cap	1
2911	SHS-403322	Screw, Socket Head Cap	1
2931	PNS-400147	Pin	1
4200	SSA-400422	Mechanical Seal	1
4210	SHC-403030	Seal Housing	1
4520	GCC-400414	Gasket, Casing	1
6710	KEY-404228	Key, Impeller	1
8000	MTC-403172	Ci-nergy Motor	1
8901	HXN-400151	Hexagon Nut	4
8902	WAS-401127	Washer, Form A	4
8903	STD-400580	Stud	4

Ci-nergy Unit : CI-08-007			
Seq. No.	Component No.	Description	Qty.
9000	REM-403193	Receiver 100L	1
9050	FBK-403571	Blind Flange	1
9051	GCF-403572	Gasket, REM-FBK	1
9052	STB-401369	Stud Bolt	4
9053	HXN-400248	Hexagon Nut	8
9054	WAS-401119	Washer, Form A	8
9120	SLG-403568	Sight Level Gauge	1
9122	PLA-401235	SQ Head Plug	1
9124	VBA-404285	Ball Valve	2
9125	HNP-400582	Hexagon Nipple	2
9127	WAS-403799	Washer, Bonded	4
9140	TRN-409450	Transmitter	2
9142	ELB-403418	Elbow, Screwed	2
9143	VBA-404285	Ball Valve	2
9144	HNP-400582	Hexagon Nipple	2
9145	HRB-406914	Hex Reducing Bush	2
9146	WAS-403799	Washer, Bonded	2
9200	CPN-403163	Control Panel 0.75kW	1
9201	BRK-403842-T	Top Bracket	1
9201	BRK-403842-B	Bottom Bracket	1
9397	MTB-403551	Motor Support Bracket	1

Ci-nergy Unit : CI-08-007			
Seq. No.	Component No.	Description	Qty.
9431	GCF-400998	Gasket, PLR-CIL	1
9623	PLR-403569	Elbow DN40	1
9632	VBU-404230	Butterfly Valve DN40	1
9640	VCH-400232	Check Valve	1
9641	HNP-400242	Hexagon Nipple	2
9642	FSC-403685	Flange, Screwed	1
9810	HSS-401448	Screw, Hex Set	4
9811	HXN-400150	Hexagon Nut	4
9812	WAS-401738	Washer, Form A	8
9843	HSS-400578	Screw, Hex Set	4
9844	HXN-400151	Hexagon Nut	4
9845	WAS-401127	Washer, Form A	8
9900	PHS-400254	Screw, Slotted Pan Head	4
9901	HXN-400230	Hexagon Nut	4
9902	WAS-400228	Washer, Form A	8
9905	HSS-400578	Screw, Hex Set	2
9906	HXN-400151	Hexagon Nut	2
9907	WAS-401127	Washer, Form A	4
9935	STD-404258	Stud	4
9936	HXN-401172	Hexagon Nut	4
9937	WAS-401939	Washer, Form A	4

B	04.02.09	CIR0901015 : 6785 & 6792 REMOVED, 9145 & 9146 ADDED, 2910 WAS 2913, 2911 WAS 2914, SECOND SHEET ADDED WITH PARTS LIST	ECH	DCD	O/E
A	22.03.07	FIRST ISSUE	SDE	DRG	O/E
ISS	DATE	DETAILS	DRN	CHKD	APPD
			 DO NOT SCALE		
© AMARINTH LTD. 2007-2009. THIS DRAWING IS THE PROPERTY OF AMARINTH LTD AND MUST NOT BE REPRODUCED OR DISCLOSED WITHOUT OUR PERMISSION IN WRITING. ALL RIGHTS ARE RESERVED.					



**Amarinth**  
tel : +44 (0)1394 462 120  
fax : +44 (0)1394 462 130  
www.amarinth.com

TITLE: SECTIONAL ARRANGEMENT  
SPIRAX SARCO  
CI-NERGY UNIT : CI-08-007

DRG No. **SAT-513016** ISSUE B  
SHT 2 OF 2