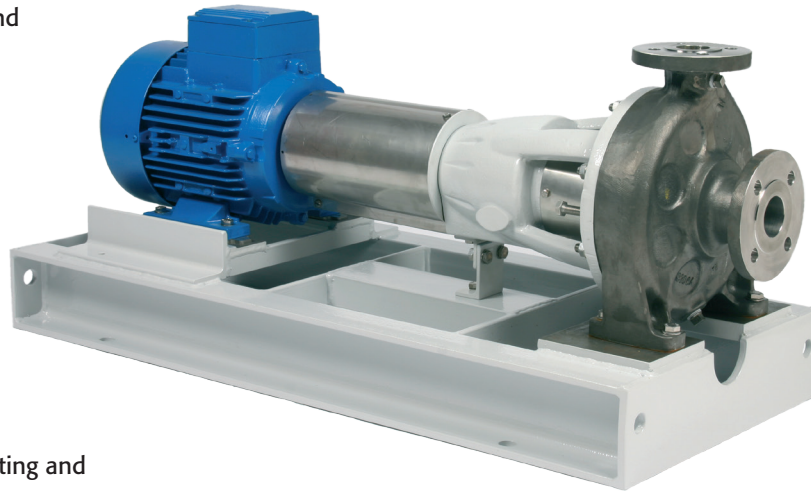


ISO 5199 CHEMICAL PUMPS

Amarinth C Series pumps are designed to both ISO 5199 and ATEX specifications for the Chemical and Pharmaceutical markets, though they can be easily modified for Petrochemical applications. A full range of material options are available as standard to match your application, including NACE compliant materials.

Standard Documentation, Testing and NDT packs are offered. Alternatively bespoke packages can be tailored to fit your exact requirements.



General description

A range of single stage centrifugal end suction pumps with centreline discharge manufactured in a variety of alloys and interchangeable with Girdlestone 900 series pumps.

Construction

Back pullout design with metal to metal fits

Design methodology

Advanced computer techniques including 3D modelling, FEA & CFD

Design standards

BS EN ISO 5199 : 2002
ATEX EC-Directive 94/9/EC

Design pressure rating

20 bar g @ 20°C

Suction pressure rating

16 bar g (long coupled)
3.5 bar g (close coupled)

Temperature rating

-40°C to 200°C (long coupled)
-40°C to 250°C (long coupled with heat sink & fan)
-5°C to 120°C (close coupled)

Performance envelope

Flow rate

Up to 1500m³/h

Differential head

Up to 300m

Speed

Up to 3600 rpm

Configurations

Long coupled pump
Close coupled pump
Bareshaft pump
Rotating assembly

Frame sizes

040x025x145 to 300x200x510

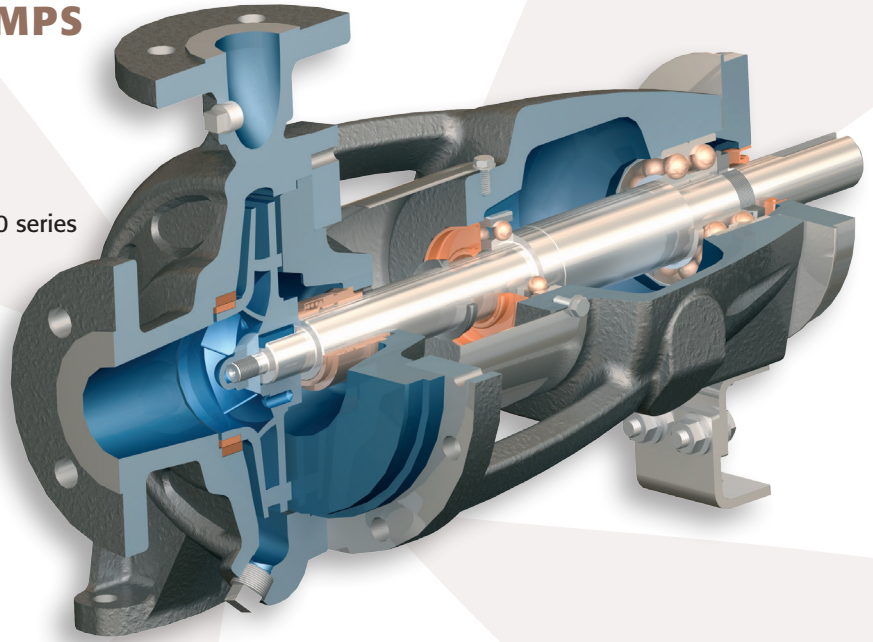
Design life

30 years (2 years uninterrupted operation)

ISO 5199 CHEMICAL PUMPS

key features

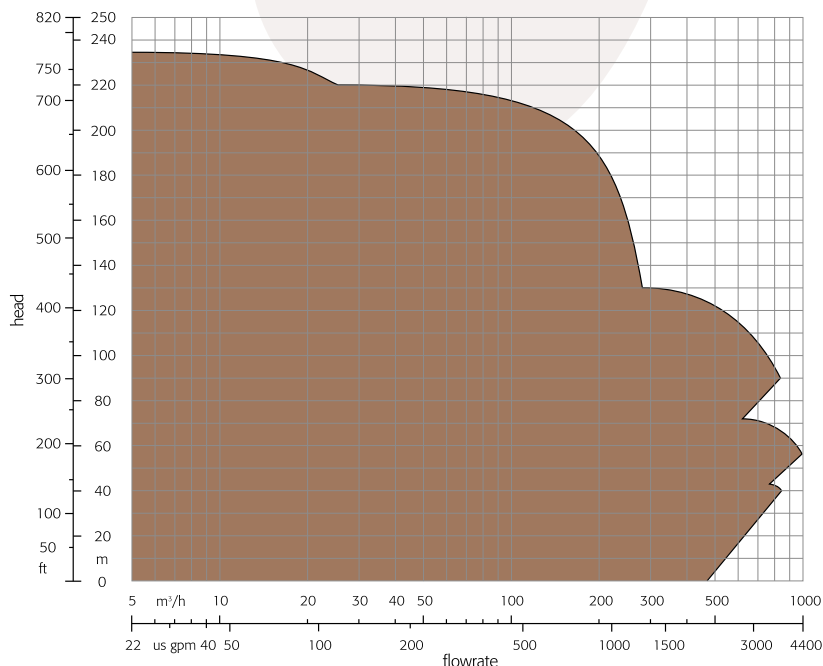
- 20 bar pumps to ISO 5199 : 2002
- ATEX compliance, on application
- Interchangeable with Girdlestone 910 & 920 series pumps
- Many units available on short lead-times
- Semi open or shrouded impellers
- Back pullout face to face fits for easy maintenance & accurate alignment
- Major spare parts available off the shelf
- Long & close coupled models
- A range of alloys available on request including NACE compliant materials
- -40°C to 250°C temperature applications



materials

Materials	Casing	Impeller
SS 316 / SS 316	ASTM A744 CF 8M	ASTM A744 CF 8M
Cast Iron / Cast Iron	EN 1561 Gr EN GJL 250	EN 1561 Gr EN GJL 250
Cast Iron / SS 316	EN 1561 Gr EN GJL 250	ASTM A744 CF 8M
SG Iron / SS 316	EN 1563 Gr EN GJS 400 18 LT	ASTM A744 CF 8M
Carbon Steel / SS 316	ASTM A216 WCB	ASTM A744 CF 8M
Carbon steel / 12% Cr SS	ASTM A216 WCB	ASTM A217 Gr CA 15
Duplex SS / Duplex SS	ASTM A890 Gr 1B CD 4MCuN	ASTM A890 Gr 1B CD 4MCuN
Super Duplex SS / Super Duplex SS	ASTM A890 Gr 5A (UNS J93404)	ASTM A890 Gr 5A (UNS J93404)
Hastelloy B / Hastelloy B	ASTM A494 Gr N 7M	ASTM A494 Gr N 7M
Hastelloy C / Hastelloy C	ASTM A494 Gr CW 12MW	ASTM A494 Gr CW 12MW
Monel / Monel	ASTM A494 Gr M35 1	ASTM A494 Gr M35 1
Titanium / Titanium	ASTM B367 Gr C2	ASTM B367 Gr C2
Customer specified	Other alloys available on request including NACE compliant materials	Other alloys available on request including NACE compliant materials

C Series hydraulic coverage



typical applications

- Acetic acids
- Caustic transfer
- Chemical processing
- Condensate extraction
- Fuel transfer
- Latex
- Low NPSH capabilities
- LPG
- Produced water
- Seawater duties
- Starch / glucose
- Sugar processing
- Zinc slurry



Amarinth

Bentwaters Parks, Rendlesham, Woodbridge,
Suffolk IP12 2TW. United Kingdom
tel: +44 (0)1394 462 120
fax: +44 (0)1394 462 130
e-mail: enquiries@amarinth.com
web: www.amarinth.com



Certificate Number 3720
ISO 9001, ISO 14001,
OHSAS 18001